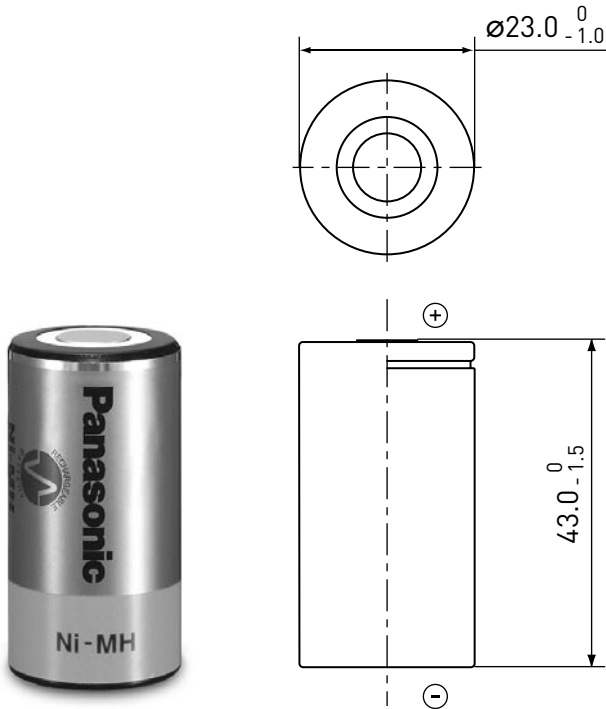


HHR-300SCP/FT CYLINDRICAL SC SIZE (HR23/43)

DIMENSIONS (MM)



SPECIFICATIONS

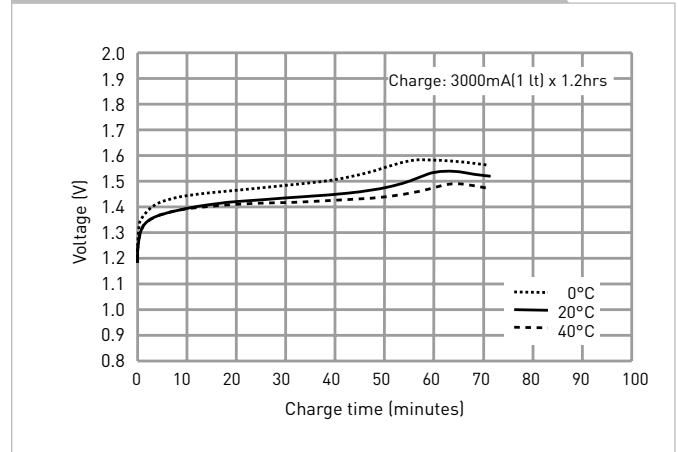
Name		HHR-300SCP/FT
Diameter (mm)		23.0 +0/-1.0
Height (mm)		43.0 +0/-1.5
Approximate weight (g)		57
Nominal voltage (V)		1.2
Discharge capacity*1	Average*2 (mAh)	3,050
	Rated/min. (mAh)	2,800
Approx. internal impedance at 1,000Hz at charged state (mΩ)		4
Charge	Standard (mA x hrs.)	300 x 16
	Rapid*3 (mA x hrs.)	3,000 x 1.2
Ambient temperature	Charge (°C)	Standard: 0 to +45 Rapid: 0 to +40
	Discharge (°C)	-10 to +65
Storage (°C)	<1 year	-20 to +35
	<3 months	-20 to +45
	<1 month	-20 to +55

*1 After charging at 0.1It for 16 hours, discharging at 0.2It.

*2 For reference only.

*3 Need specially designed control system. Please contact Panasonic for details.

TYPICAL CHARGE CHARACTERISTICS



TYPICAL DISCHARGE CHARACTERISTICS

