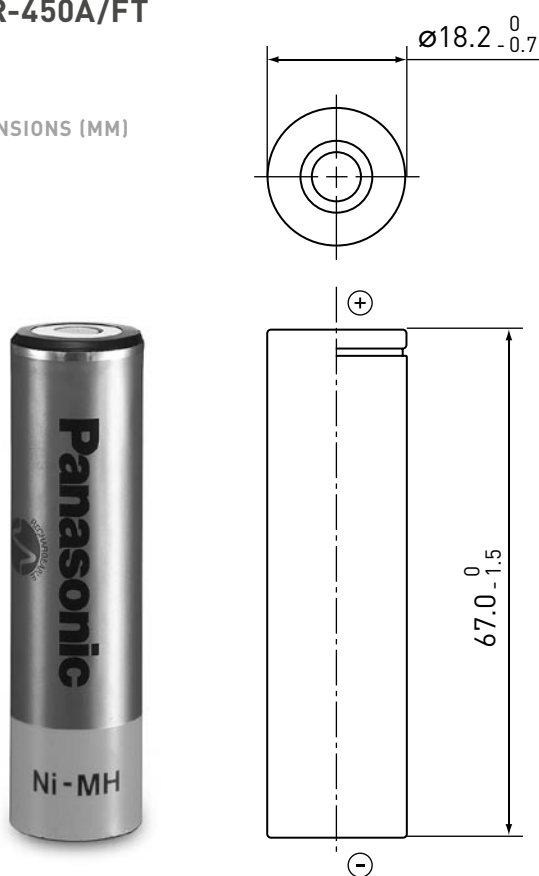


## HHR-450A/FT

## DIMENSIONS (MM)



## SPECIFICATIONS

Name		HHR-450A/FT	
Diameter (mm)		18.2 +0/-0.7	
Height (mm)		67.0 +0/-1.5	
Approximate weight (g)		60	
Nominal voltage (V)		1.2	
Discharge capacity*1	Average*2 (mAh)	4,500	
	Rated/min. (mAh)	4,200	
Approx. internal impedance at 1,000Hz at charged state (mΩ)		25	
Charge	Standard (mA x hrs.)	450 x 16	
	Rapid*3 (mA dT/dt)	2,000 x 1.2	
Ambient temperature	Charge (°C)	Standard	0 to +45
		Rapid	0 to +40
Discharge (°C)		-10 to +65	
Storage (°C)	<1 year	-20 to +35	
	<3 months	-20 to +45	
	<1 month	-20 to +55	

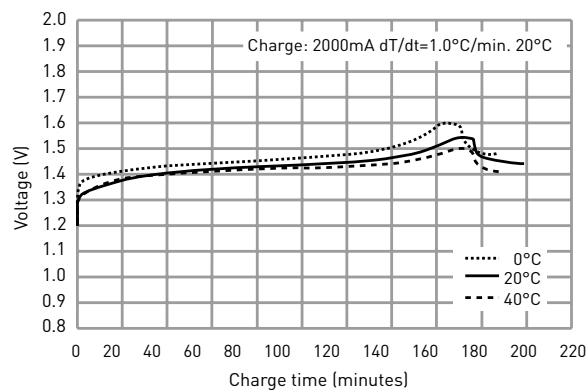
\*1 After charging at 0.1It for 16 hours, discharging at 0.2It.

\*2 For reference only.

\*3 Need specially designed control system. Please contact Panasonic for details.

## CYLINDRICAL LFAT/A SIZE

## TYPICAL CHARGE CHARACTERISTICS



## TYPICAL DISCHARGE CHARACTERISTICS

